

DAYTON SPECIFICATIONS

Dayton® Double Bowl Sink Models D, DJ, DD and DDJ Series

GENERAL

Sink is formed of #22 gauge, 300 series, nickel-bearing stainless steel. Top mount.

DESIGN FEATURES

Bowl Depth: See next page

Coved Corners: D22519: 2-1/4" (57mm) vertical and horizontal radius
D23317, D23319: 2-1/2" (64mm) vertical and 2-3/4" (70mm) horizontal radius

D23321, D(J)23322, DD(J)23322: 4" (102mm) vertical and 3-1/4" (83mm) horizontal radius

Rim Height: 3/16" (5mm)

Faucet Deck: Raised (except D22519, D23317 and D23319 series).

Finish: Exposed surfaces are polished to a satin finish.

Underside: Undercoated on bottom of bowls to reduce condensation and dampen sound.

OTHER

Drain Opening: 3-1/2" (89mm)

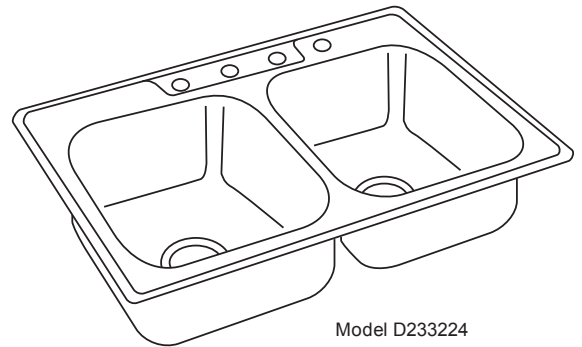
Note: Unless otherwise specified, sink is furnished with 4 faucet holes as shown.

Installation Hardware: Included for 3/4" (19mm) countertop.

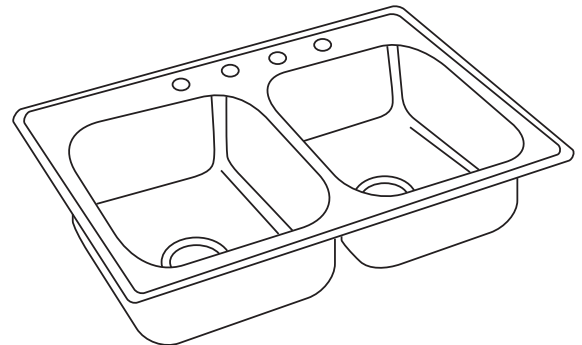
Sink complies with ASME A112.19.3-2008 / CSA B45.4-08.



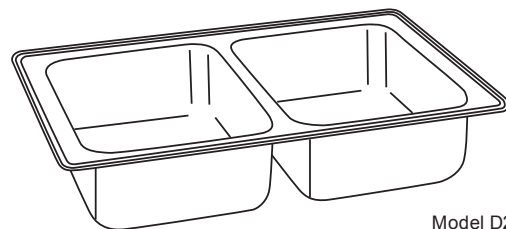
These sinks are listed by the International Association of Plumbing and Mechanical Officials as meeting the requirements of the Uniform Plumbing Code.



Model D233224



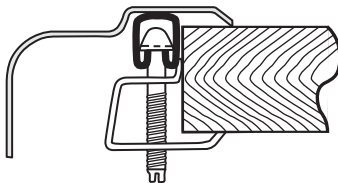
Model D233194



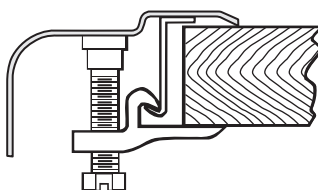
Model D23317



U-Channel Type Mounting System

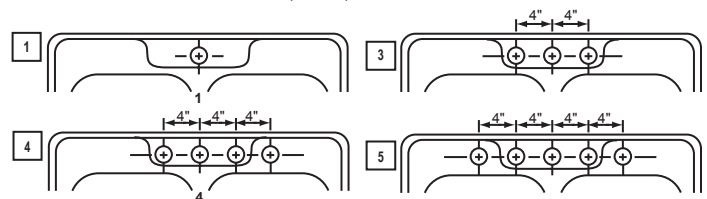


J-Channel Type Mounting System



Hole Drilling Configurations

1-1/2" (38mm) Diameter Faucet Holes



SEE NEXT PAGE FOR PRODUCT DIMENSIONS.

In keeping with our policy of continuing product improvement, Elkay reserves the right to change product specifications without notice.

This specification describes an Elkay product with design, quality and functional benefits to the user. When making a comparison of other producers' offerings, be certain these features are not overlooked.

Elkay

elkayusa.com

2222 Camden Court
Oak Brook, IL 60523

Printed in U.S.A.
©2010 Elkay

(Rev. 6/10) 2-14G

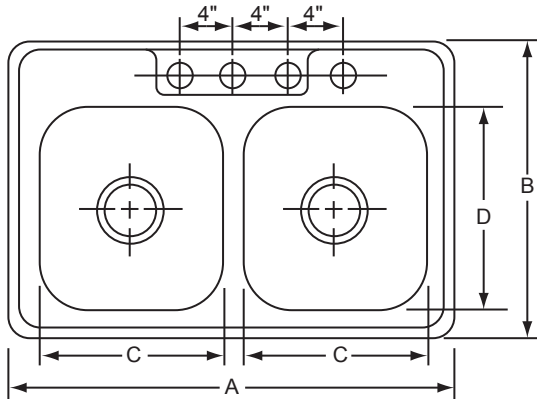
**Dayton® Double Bowl Sink
Models D, DJ, DD and DDJ Series**

**DAYTON
SPECIFICATIONS**

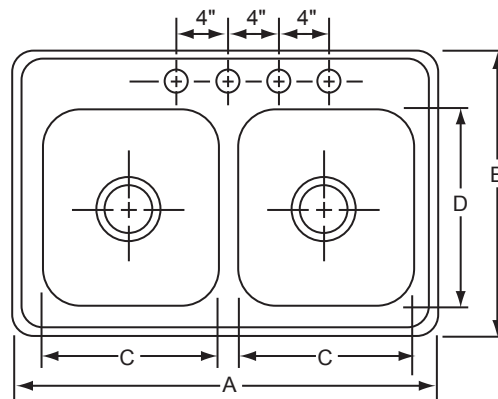
SINK DIMENSIONS (INCHES)*

U-Channel Model Number	J-Channel Model Number	Overall		Inside Each Bowl			Cutout in Countertop (1-1/2" (38mm) Radius Corners)		No. of 1-1/2" (38mm) Dia. Faucet Holes 4" (102mm) Center	Minimum Cabinet Size
		L	W	L	W	D	L	W		
		A	B	C	D	E	L	W		
D22519	-	25 (635mm)	19 (483mm)	10 (254mm)	14 (356mm)	6-1/4 (159mm)	24-3/8 (619mm)	18-3/8 (467mm)	1, 3, or 4	30 (762mm)
D23317	-	33 (838mm)	17 (432mm)	14 (356mm)	14 (356mm)	6 (152mm)	32-3/8 (822mm)	16-3/8 (416mm)	None	36 (914mm)
D23319	-	33 (838mm)	19 (483mm)	14 (356mm)	14 (356mm)	6-7/16 (164mm)	32-3/8 (822mm)	18-3/8 (467mm)	1, 3, or 4	36 (914mm)
D23321	-	33 (838mm)	21-1/4 (540mm)	14 (356mm)	15-3/4 (400mm)	6-1/2 (165mm)	32-3/8 (822mm)	20-5/8 (524mm)	3, 4, or 5	36 (914mm)
D23322	DJ23322	33 (838mm)	22 (559mm)	14 (356mm)	15-3/4 (400mm)	6-9/16 (167mm)	32-3/8 (822mm)	21-3/8 (543mm)	3, 4 or 5†	36 (914mm)
DD23322	DDJ23322	33 (838mm)	22 (559mm)	14 (356mm)	15-3/4 (400mm)	7-1/16 (181mm)	32-3/8 (822mm)	21-3/8 (543mm)	1, 3, 4, or 5	36 (914mm)

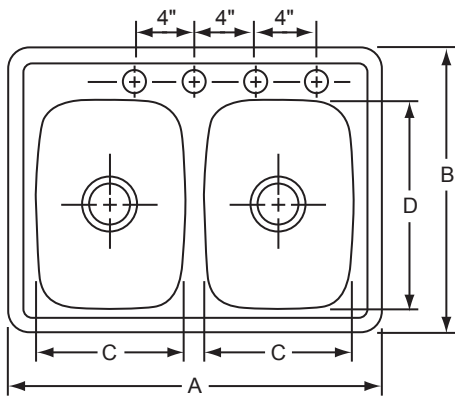
*Length is left to right. Width is front to back.
†5 hole only available for model D23322.



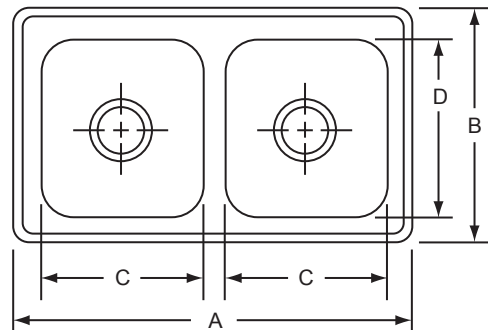
Bowl Depth is E
Model D233224 Illustrated



Bowl Depth is E
Model D233194 Illustrated



Bowl Depth is E
Model D225194 Illustrated



Bowl Depth is E
Model D23317 Illustrated