



model MTGFR.HSC

2000 Series Mounting Frame

FEATURES & BENEFITS

CONSTRUCTION

Constructed of heavy gauge galvanized steel, this frame provides the needed support for the remote chiller portion of the Haws HydrationStation along with added corrosion resistance for long life.

OPTIONS

For more information, visit www.hawSCO.com or call (888) 640-4297.



SPECIFICATIONS

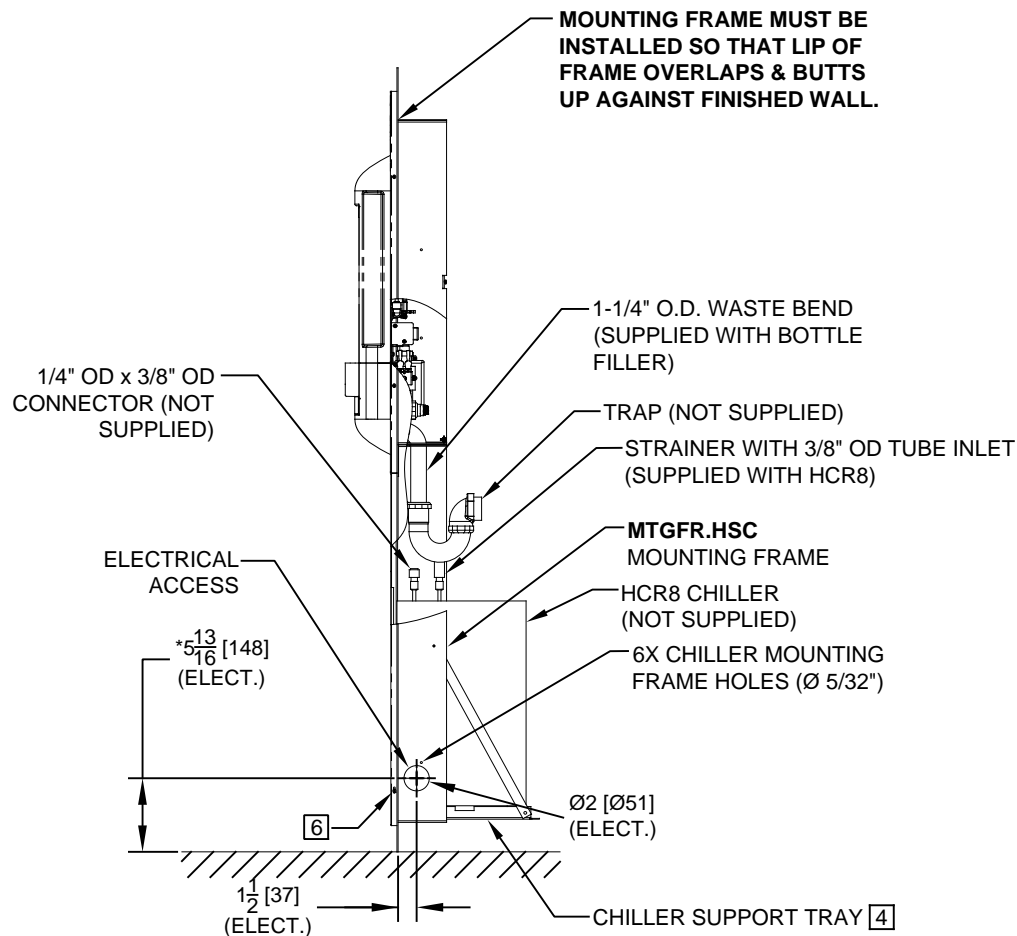
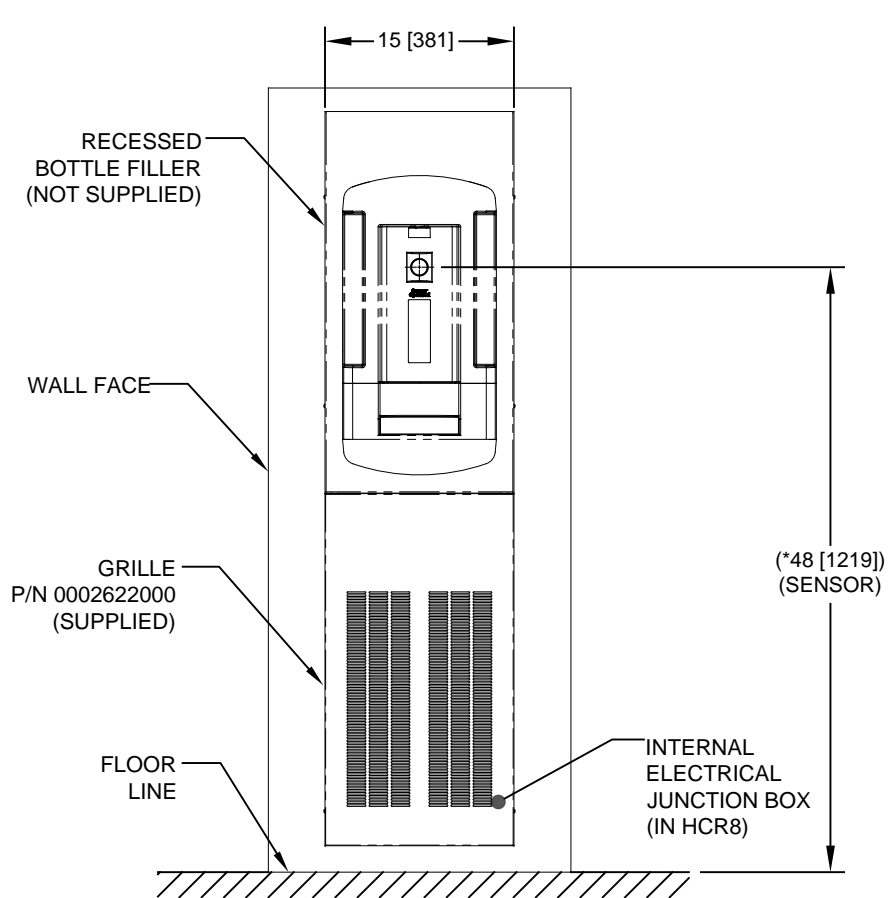
Model MTGFR.HSC, galvanized steel mounting frame with grille allows a remote chiller to be added to the 2000 series bottle filling stations.

APPLICATIONS

Model MTGFR.HSC mounting frame is manufactured of heavy gauge galvanized steel with pre-drilled mounting holes. For use with the Haws bottle filling stations, this mounting frame may be shipped prior to cooler for roughing-in installation.

MOUNTING FRAME INSTALLATION

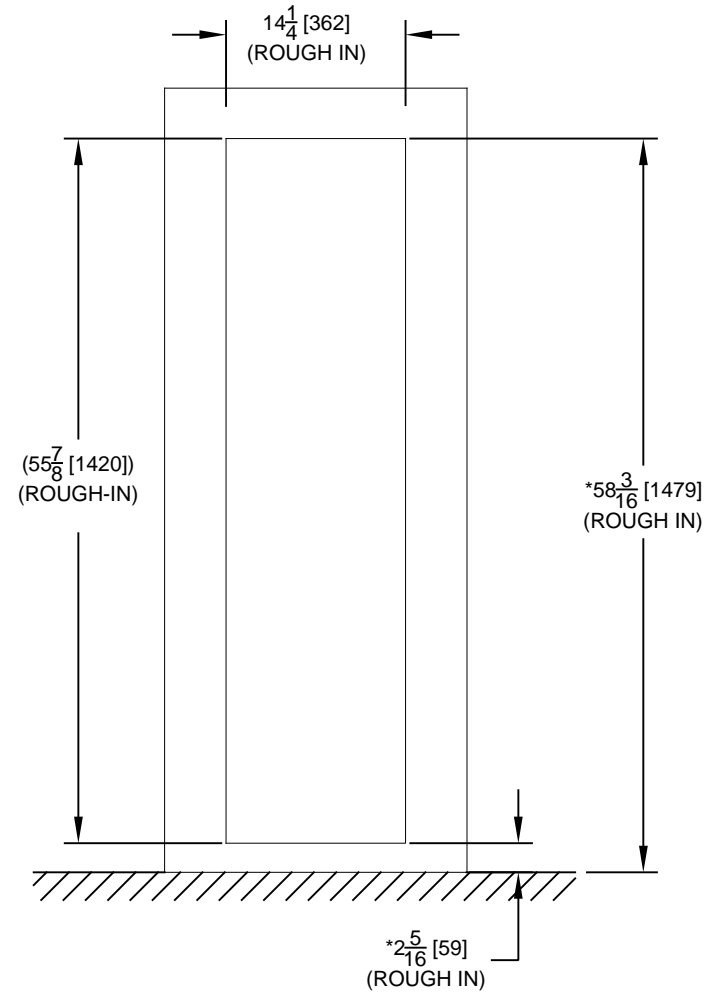
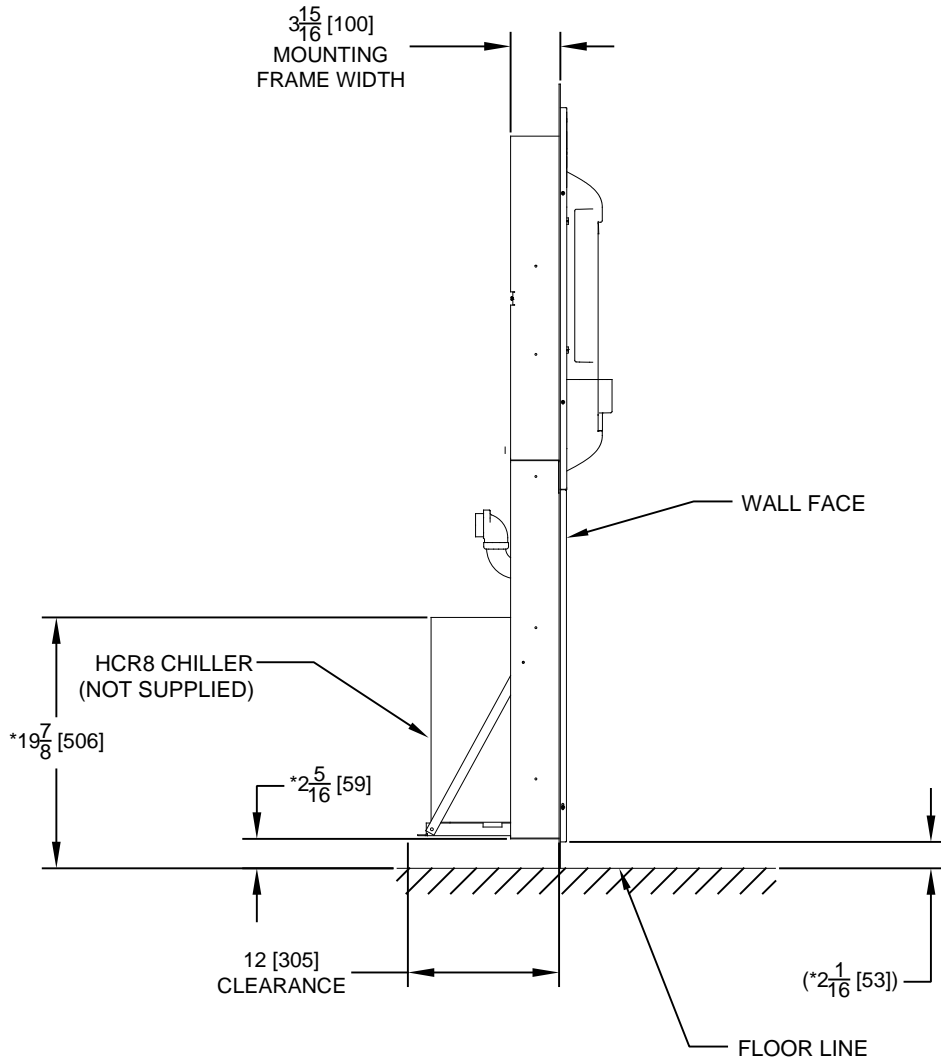
1. SEE INSTALLATION INSTRUCTIONS RECEIVED WITH BOTTLE FILLER AND HCR8 FOR ADDITIONAL PERTINENT INFORMATION. FOR ROUGH-IN, USE THE APPROPRIATE DIMENSIONS SHOWN.
2. HOLD ROUGH-IN DIMENSIONS $\pm 1/8"$ (3.2mm).
3. WHEN INSTALLING THIS UNIT LOCAL, STATE OR FEDERAL CODES SHOULD BE ADHERED TO.
FOR DIFFERENT INSTALLATION HEIGHTS OTHER THAN SHOWN, DIMENSIONS MARKED (*) MUST BE ADJUSTED ACCORDINGLY.
4. ALIGN HOLES IN CHILLER SUPPORT TRAY WITH HOLES IN FRAME AND FASTEN IN PLACE WITH #10 SHEET-METAL SCREWS SUPPLIED WITH UNIT.
5. USE NSF-61 3/8" OD TUBING WITH SUFFICIENT PRESSURE RATING TO CONNECT CHILLER AND BOTTLE FILLER.
6. TO ATTACH GRILLE TO MOUNTING FRAME, SLIDE 6-32 U-NUTS (SUPPLIED), THREADED PORTION INWARD, OVER MOUNTING TABS ON FRAME. PLACE GRILLE OVER FRAME AND INSERT 6-32 SCREWS (SUPPLIED) THROUGH SLOTS IN SIDE OF GRILLE AND SCREW INTO U-NUTS.





1455 KLEPPE LANE
SPARKS, NEVADA 89431
(775) 359-4712 FAX (775) 359-7424
E-MAIL: HAWS@HAWS.CO.COM
WEBSITE: WWW.HAWS.CO.COM

ECN NO. 4310	REVISED PER ECN: 5181	BY: JL	MODEL(S) MTGFR.HSC	PART NUMBER 0002080290
DRAWN: BW	DATE: 12/7/09	CHKD.: VWC	2000S CHILLER MTG FRAME	REVISION 4
APPROVED: FV	DATE: 09/25/17	SCALE: N/A	DRAWING TYPE: INSTALLATION	SIZE: A SHEET 1 OF 2



ROUGH-IN VIEW

CHILLER ELECTRICAL INSTALLATION

1. ENSURE ELECTRICAL POWER IS OFF AND POWER MATCHES VOLTAGE, PHASE AND CYCLE LISTED ON CHILLER LABEL.
2. REMOVE FRONT PANEL TO GAIN ACCESS TO INTERNAL JUNCTION BOX.
3. HARD WIRE CHILLER THROUGH ITS SIDE. WIRE IN ACCORDANCE WITH LOCAL, STATE OR FEDERAL ELECTRICAL CODES.
4. REPLACE FRONT PANEL. DO NOT APPLY POWER UNTIL WATER SUPPLY IS CONNECTED AND ON.



1455 KLEPPE LANE
SPARKS, NEVADA 89431
(775) 359-4712 FAX (775) 359-7424
E-MAIL: HAWS@HAWSCO.COM
WEBSITE: WWW.HAWSCO.COM

ECN NO. 4310	REVISED PER ECN: 5181	BY: JL	MODEL(S)	PART NUMBER
DRAWN: BW	DATE: 12/7/09	CHKD.: VWC	MTGFR.HSC	0002080290
APPROVED: FV	DATE: 09/25/17	SCALE: N/A	2000S CHILLER MTG FRAME	REVISION 4
DRAWING TYPE: INSTALLATION			SIZE: A	SHEET 2 OF 2