

ELKAY® SPECIFICATIONS

Gourmet® Sink Tops – S Series Single Bowl Models S5416, S6019 and S7219

GENERAL

Highest quality sinktop formed of #18 (1.2mm) gauge, type 304 (18-8) nickel bearing stainless steel. Integral bowl, fan pitched work areas and backsplash. All exposed surfaces hand-blended to a lustrous satin finish. Designed for use with standard size base cabinet. (*Custom sizes are available by contacting an Elkay Representative.*)

DESIGN FEATURES

- Bowl Depth: 7-1/2" (191mm).
- Coved Corners: 1-3/4" (44mm) vertical and horizontal radius.
- Sinktop Thickness: 1-1/2" (38mm).
- Backsplash: 4" (102mm) high, full length, 1/4" (6mm) coved corner.
- Outside edge of sinktop has a 5/32" (4mm) raised rim.
- Drain Opening: 3-1/2" (89mm).
- Underside is fully undercoated.
- Wood mounting strips attached to underside for fastening top to cabinet.
- Stocked in four faucet holes only. Other hole drilling locations are available made to order.
- These sinks comply with ASME A112.19.3.



These sinks are listed by the International Association of Plumbing and Mechanical Officials as meeting the requirements of the Uniform Plumbing Code.

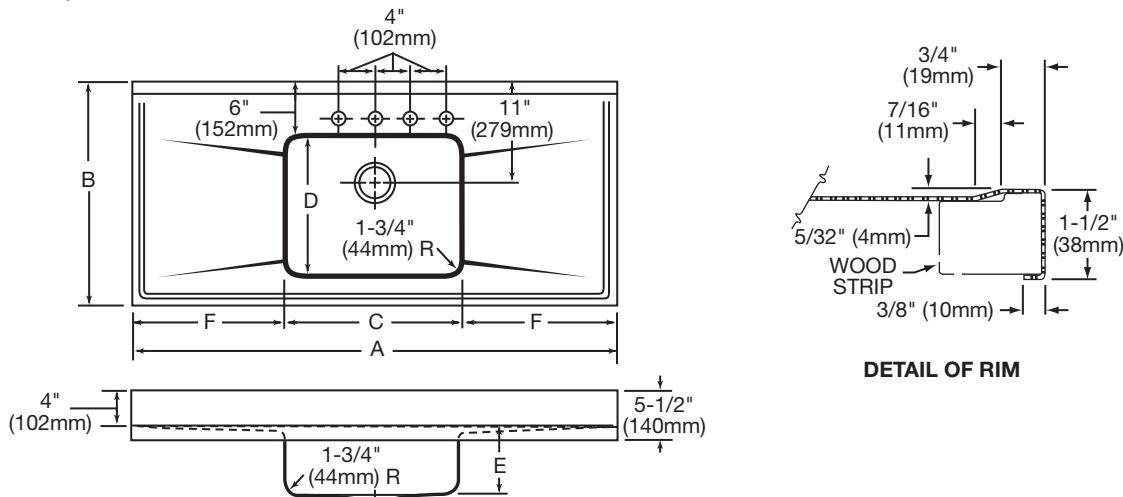
OPTIONAL ACCESSORIES

- Cutting Boards: CB1713, CBS1316.
- Drain: LK99.
- Rinsing Baskets: LKWRB1418SS, LKWERBSS.
- Utensil Caddy for Rinsing Basket: LKWUCSS.

SINK DIMENSIONS*

| Model Number | Overall | | Inside Bowl | | | Drainboard | | Location | Drain Location | No. of 1 3/8" (35mm) Faucet Holes 4" (102mm) Center | Maximum Cabinet Size |
|--------------|----------------|---------------|---------------|---------------|------------------|-------------------|-------|-------------|----------------|---|----------------------|
| | L | W | L | W | D | L | F | | | | |
| S5419 | 54 (1372mm) | 25 (635mm) | 19 (483mm) | 16 (406mm) | 7 1/2 (191mm) | 17 1/2 (445mm) | L & R | Rear Center | 4 | 54 (1372mm) | |
| S6019 | 60 (1524mm) | 25 (635mm) | 19 (483mm) | 16 (406mm) | 7 1/2 (191mm) | 20 1/2 (392mm) | L & R | Rear Center | 4 | 60 (1524mm) | |
| S7219 | 72 (1829mm) | 25 (635mm) | 19 (483mm) | 16 (406mm) | 7 1/2 (191mm) | 26 1/2 (673mm) | L & R | Rear Center | 4 | 72 (1829mm) | |

*Length is left to right. Width is front to back.



In keeping with our policy of continuing product improvement, Elkay reserves the right to change product specifications without notice. Please visit elkayusa.com for most current version of Elkay product specification sheets.

This specification describes an Elkay product with design, quality and functional benefits to the user. When making a comparison of other producers' offerings, be certain these features are not overlooked.

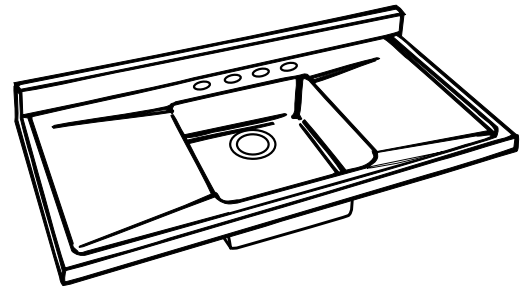
Elkay

elkayusa.com

2222 Camden Court
Oak Brook, IL 60523

Printed in U.S.A.
©2008 Elkay

(Rev. 11/08) 1-152A



Model S5419