

**SPECIFICATIONS**

**GENERAL**

WCLWO1923OSD #18 gauge, type 304 (18-8) stainless steel lavatory with 5/32" (4mm) raised rim. Compartment has 1-3/4" (44mm) radius vertical and horizontal coved corners. 2-1/2" (64mm) apron front and both sides. Full length 2-1/2" (64mm) high backsplash. Exposed surfaces are hand blended to a uniform satin luster finish. Underside is sound deadened. Furnished with integral stainless steel support brackets. Rear centered drain outlet. Drain opening size 1-5/8" (41mm).  
With connected overflow. Meets ADA requirements.

(CHECK MODEL SPECIFIED)

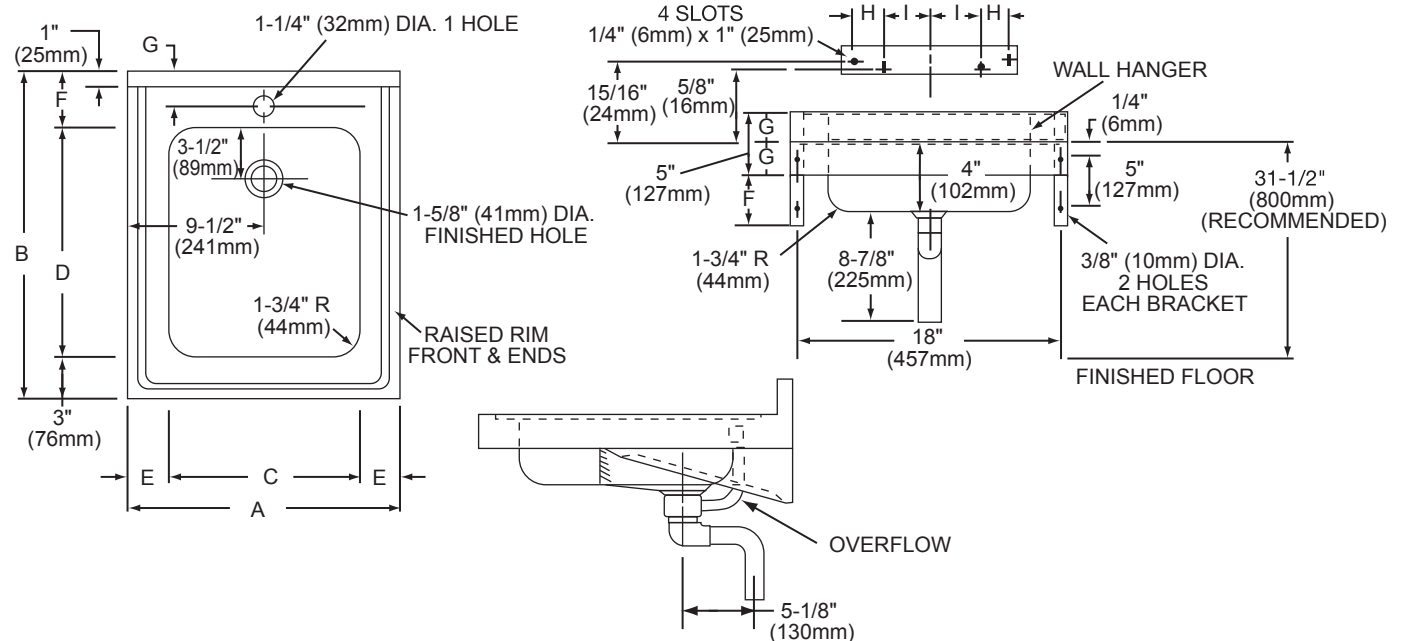
MODEL	FAUCET	MIXING VALVE
<input type="checkbox"/> WCLWO1923OSDSACC	LKB721C	NONE
<input type="checkbox"/> WCLWO1923OSDSACMC	LKB721C	LK724
<input type="checkbox"/> WCLWO1923OSDSACTMC	LKB721C	LK723

LKB721C Sensor-operated, deck-mounted, non-mixing gooseneck faucet with adjustable sensor eyes. A continuous beam is emitted from sensor and faucet is activated when hands are placed under the spout. Water will flow as long as hands remain within sensor range. When hands are removed, the water stops automatically based on shut-off delay setting. The sensor then resets for the next user.

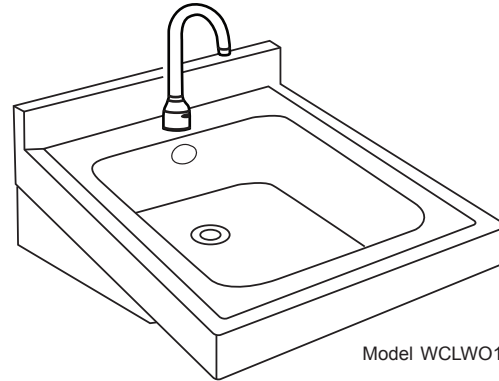
Chrome-plated solid brass construction with 2.0gpm laminar flow control on spout end. Includes water-resistant sensor control module and power cables. Features dual power options: AC plug-in and battery holder with four AA batteries. Slow-closing piston operated solenoid valve, in-line filter with clean out trap and flexible supply hose. Control circuit is solid state, has adjustable sensor range of 7/8" (22mm) to 6-3/4" (171mm), shut-off delay preset at 1 second and field adjustable to 2 seconds (to prevent sink overflow).

**DIMENSIONS**

Model Number	A		B		C		D		E		F		G		H		I	
	in.	mm	in.	mm	in.	mm	in.	mm	in.	mm	in.	mm	in.	mm	in.	mm	in.	mm
WCLWO1923OSD	19	483	23	584	13 1/2	343	16	406	2 3/4	70	4	102	2 1/2	64	2 5/8	67	4 1 5/16	125



ADA Compliant

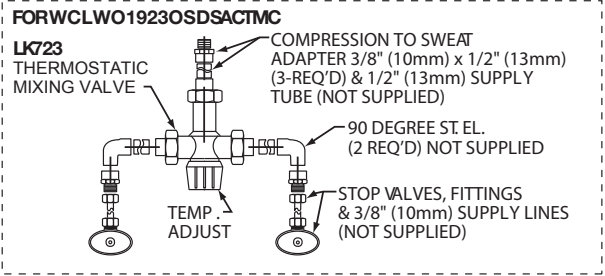
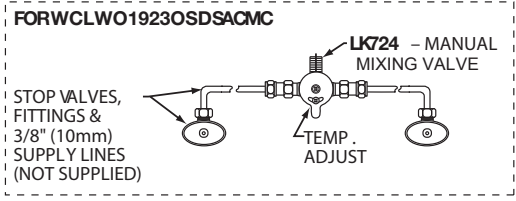
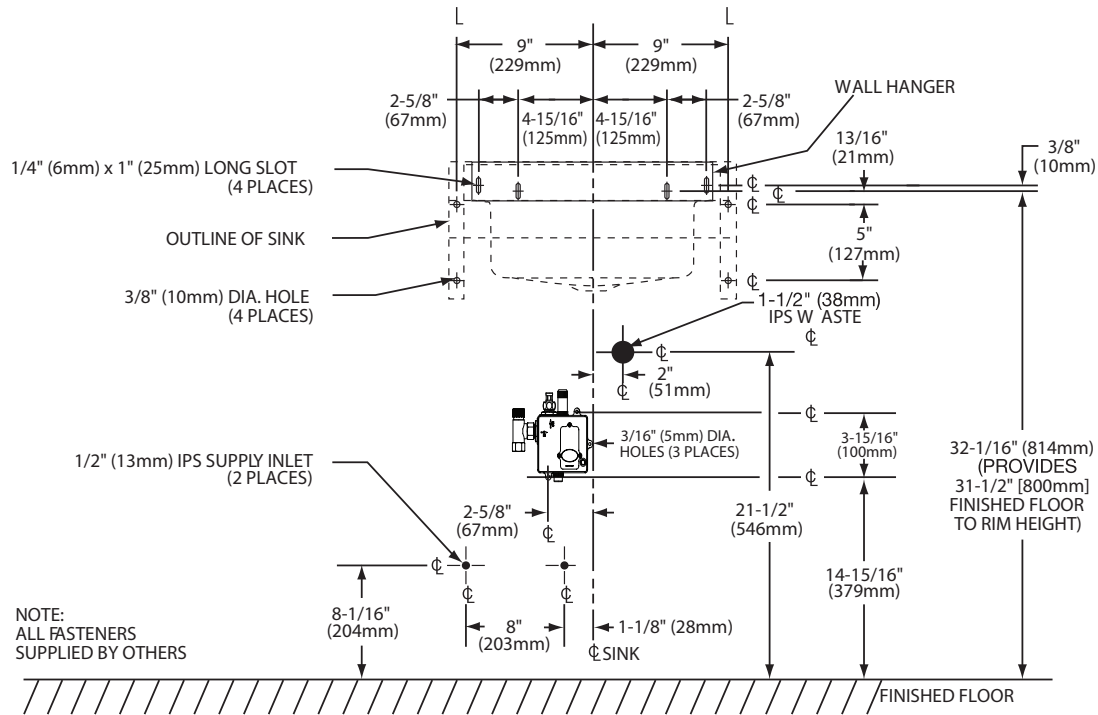


Model WCLWO1923OSDSACC

LK723 Anti-scald thermostatic mixing valve with nickel-plated brass body 1/2" (13mm) SWT inlets and outlet connections, check valves on inlets and a mixed temperature range of 80°- 120°F. Certified under ASSE1016.

LK724 Mechanical mixing valve with C.P. brass body, 3/8" (10mm) compression inlets and outlet connections, and check valves on inlets.

**ROUGH-IN DIMENSIONS**



NOTE:  
 USE TEFLON TAPE FOR ALL WATER CONNECTIONS.  
 DO NOT USE PIPE DOPE.

