

ELKAY[®]

SPECIFICATIONS

Sink Accessories

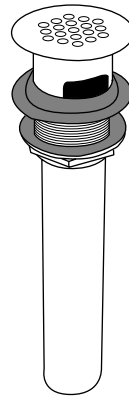
LK174, LK174LO and LK175 Drains

GENERAL

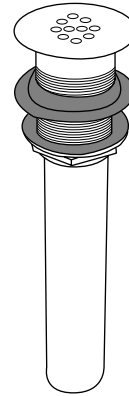
LK174: Chrome plated cast brass lavatory drain outlet fitting with perforated grid. Designed to fit 1-1/2" or 1-5/8" drain opening with an overall flange size of 2-1/4". Arranged for overflow. 1-1/4" O.D. x 6" chrome plated brass tailpiece. Ship. Wt. 1 lb.

LK174LO: Same as LK174 except not arranged for overflow. Ship. Wt. 1 lb.

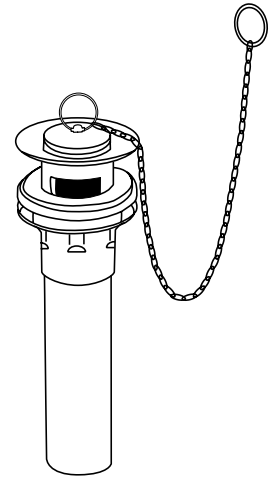
LK175: Chrome plated cast brass lavatory drain outlet fitting with rubber stopper, ring and chain. Designed to fit 1-1/2" or 1-5/8" drain opening with an overall flange size of 2-1/8". Arranged for overflow. 1-1/4" O.D. x 6" chrome plated brass tailpiece. Ship. Wt. 1 lb.



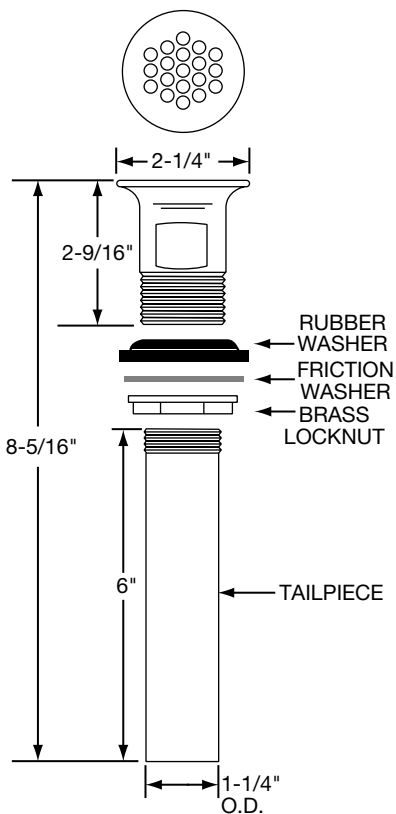
Model LK174



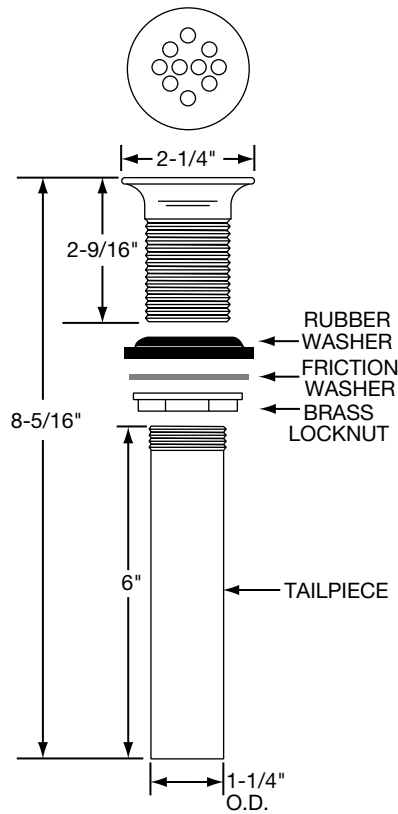
Model LK174LO



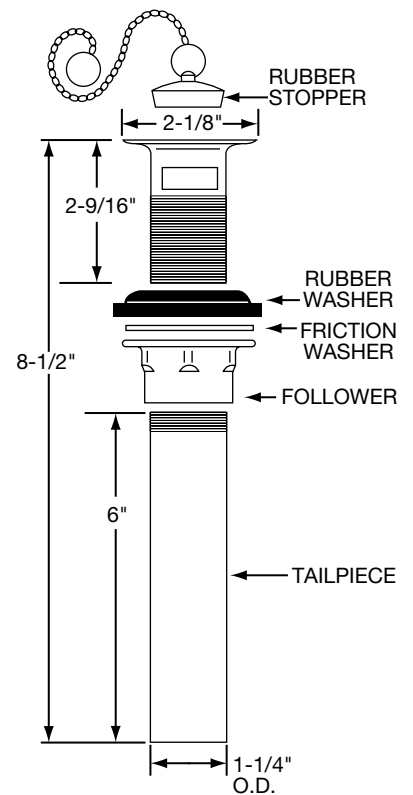
Model LK175



Model LK174 Illustrated



Model LK174LO Illustrated



Model LK175 Illustrated

ALL DIMENSIONS IN INCHES. TO CONVERT TO MILLIMETERS, MULTIPLY BY 25.4.

In keeping with our policy of continuing product improvement, Elkay reserves the right to change product specifications without notice.

This specification describes an Elkay product with design, quality and functional benefits to the user. When making a comparison of other producers' offerings, be certain these features are not overlooked.