

PRODUCT SPECIFICATIONS

Elkay Multi-Station Fountain, Non-Filtered Non-Refrigerated Stainless. Furnished with Flexi-Guard® Safety bubbler. Mechanical Top Bubbler Button activation. Product shall be Wall Mount (On-Wall), for Indoor/Outdoor applications, serving 3 station(s). Unit shall be lead-free design which is certified to NSF/ANSI 61 & 372 (lead free) and meets Federal and State low-lead requirements.

Finish:	Stainless Steel
Power:	No Electrical Required
Bubbler Style:	Flexi-Guard® Safety
Activation by:	Mechanical Top Bubbler Button
Mounting Type:	Wall Mount (On-Wall)
Chilling Option:	Non-Refrigerated
Dimensions (L x W x H):	52" x 14" x 15"
Approx. Shipping Weight:	51 lbs.
Installation Location:	Indoor/Outdoor
No. of Stations Served:	3

- Mechanically-Activated bubbler continues to supply water in event of service disruptions.



AMERICAN PRIDE. A LIFETIME TRADITION. Like your family, the Elkay family has values and traditions that endure. For almost a century, Elkay has been a family-owned and operated company, providing thousands of jobs that support our families and communities.



Included with Product: Fountain

PRODUCT COMPLIANCE

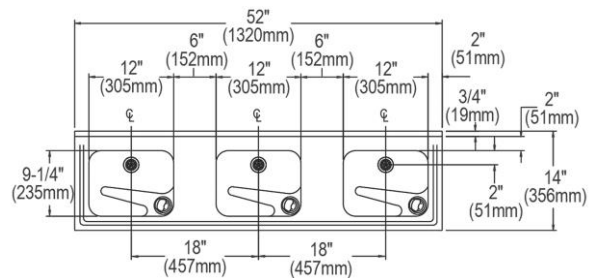
Buy American Act
NSF/ANSI 61 & 372 (lead free)



[Installation Instructions \(PDF\)](#)

Water Systems are warranted for 12 months from date of installation. **Warranty pertains to drinking water applications only. Non-drinking water applications are not covered under warranty.**

[Warranty \(PDF\)](#)



OPTIONAL ACCESSORIES

EWF172 - WaterSentry VII Filter Kit (Coolers + Fountains)
97446C - Bubbler Kit Vandal-Resistant
LK1110 - Elkay Glass Filler
LK1114 - Accessory - Glass Filler

PART: _____ QTY: _____

PROJECT: _____

CONTACT: _____

DATE: _____

NOTES: _____

APPROVAL: _____

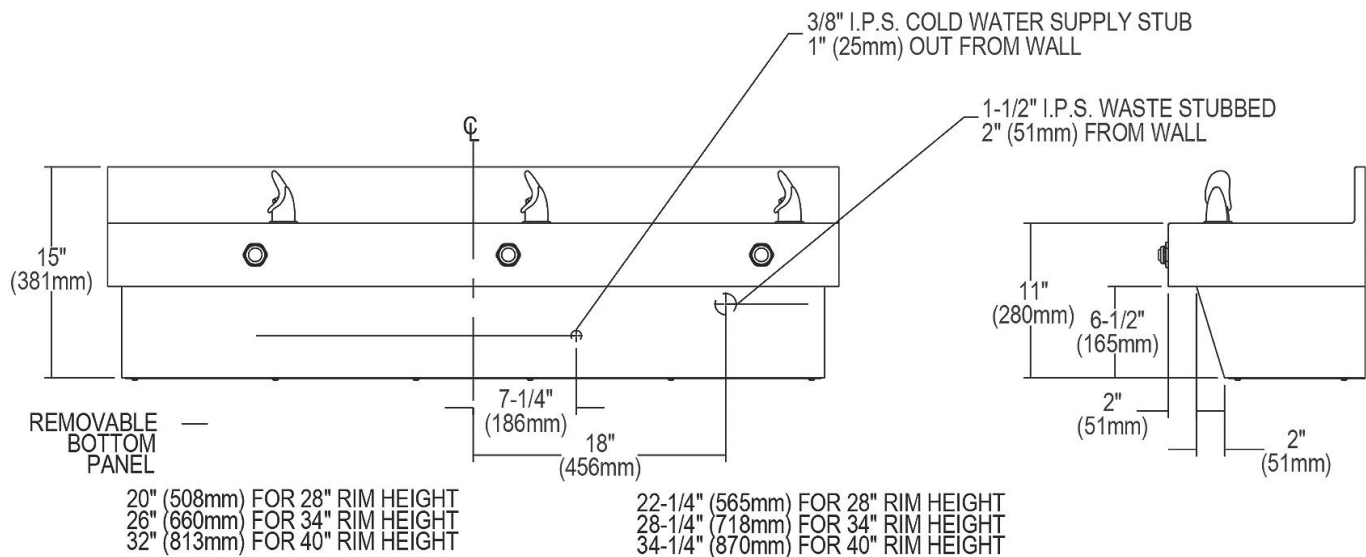
In keeping with our policy of continuing product improvement, Elkay reserves the right to change product specifications without notice. Please visit elkay.com for the most current version of Elkay product specification sheets. This specification describes an Elkay product with design, quality, and functional benefits to the user. When making a comparison of other producers' offerings, be certain these features are not overlooked.

INSTALLATION INSTRUCTIONS

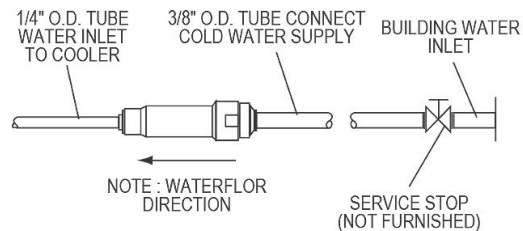
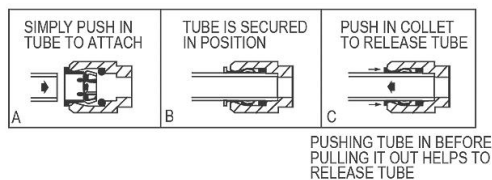
1. Remove lower panel from drinking fountain by removing the two screws at the lower corners. Rotate the bottom of the panel out and pull gently downward to remove.
2. Water inlet tube to be 3/8" O.D. Waste tailpiece for slip trap is 1-1/4" O.D. Contractor to supply waste trap in accordance with local codes.
3. Connecting lines to be copper and thoroughly flushed to remove all foreign matter before connection to fountain assembly. The furnished strainer should be installed in the supply line.
4. Connect the fountain to supply line with a shut off valve and install a 3/8" (10mm) water line between the valve and fountain. Connect the 3/8" line to the inlet of the strainer by loosening the retaining nut and inserting the tubing past the o-rings (approximately 3/4"). Finger tighten nut to lock tubing in place.
5. Stream height is factory set at 35 psi. If supply pressure varies greatly from this, turn adjustment screw on regulator. Clockwise adjustment will raise the stream and counter-clockwise adjustment will lower the stream. For best adjustments, stream should hit the basin 6-1/2" (165mm) from the bubbler.

ACTUATION OF QUICK CONNECT WATER FITTINGS

Fountain is provided with lead free connectors which utilize an o-ring water seal. To remove tubing from the fitting, relieve water pressure, push in on gray collar while pulling on the tubing. To insert tubing, push tube straight into the fitting until it reaches a positive stop (approximately 3/4" [19mm]). See Fig. 1.



OPERATION OF QUICK CONNECT FITTINGS



In keeping with our policy of continuing product improvement, Elkay reserves the right to change product specifications without notice. Please visit elkay.com for the most current version of Elkay product specification sheets. This specification describes an Elkay product with design, quality, and functional benefits to the user. When making a comparison of other producers' offerings, be certain these features are not overlooked.