

**PRODUCT SPECIFICATIONS**

Elkay Sturdibilt Stainless Steel 19" x 23" x 4", Wall Hung Single Bowl Lavatory Sink Kit. Sink is manufactured from 18 gauge 304 Stainless Steel with a Buffed Satin finish, Rear Center drain placement.

|                           |                     |
|---------------------------|---------------------|
| <b>Material:</b>          | 304 Stainless Steel |
| <b>Finish:</b>            | Buffed Satin        |
| <b>Gauge:</b>             | 18                  |
| <b>Number of Bowls:</b>   | 1                   |
| <b>Sink Dimensions:</b>   | 19" x 23" x 9"      |
| <b>Bowl 1 Dimensions:</b> | 16" x 13-1/2" x 4"  |
| <b>Drain Location:</b>    | Rear Center         |



**Included with Product:** WCLWO1923 sink,  
one LKB721C sensor faucet with AC  
plug-in / 4 AA batteries,  
one LK723 thermostatic mixing valve,  
LKAD174 drain,  
LKF298 overflow

▼ **Ships in multiple boxes.**

AMERICAN PRIDE. A LIFETIME TRADITION.  
Like your family, the Elkay family has values and traditions that endure.  
For almost a century, Elkay has been a family-owned and operated  
company, providing thousands of jobs that support our families and  
communities.



**Product Compliance:** ADA & ICC A117.1  
BUY AMERICAN ACT  
NSF 2  
Faucet: ASME A112.18.1/CSA B125.1  
NSF 61  
NSF 372 (lead free)  
Accessory: ASME A112.18.2/CSA B125.2

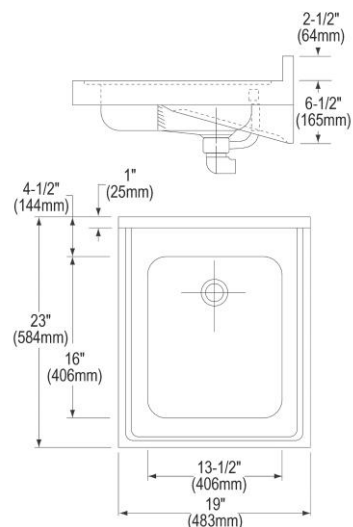


Complies with ADA & ICC A117.1 accessibility requirements when installed according to the requirements outlined in these standards.

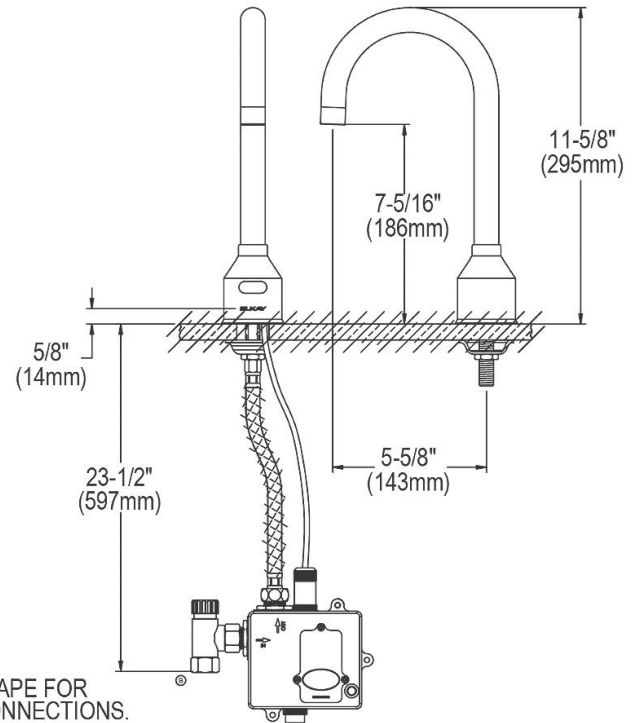
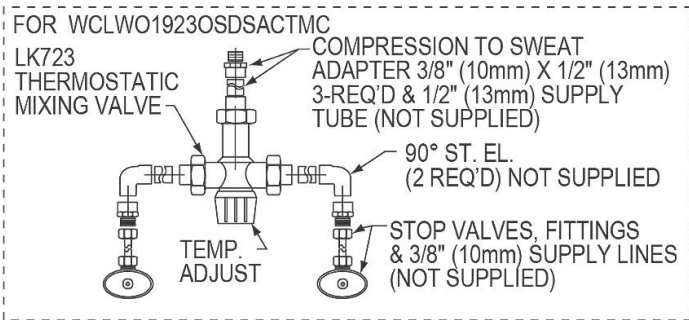
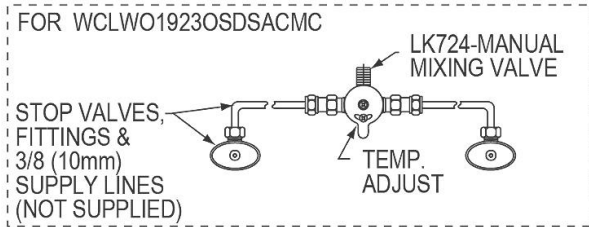
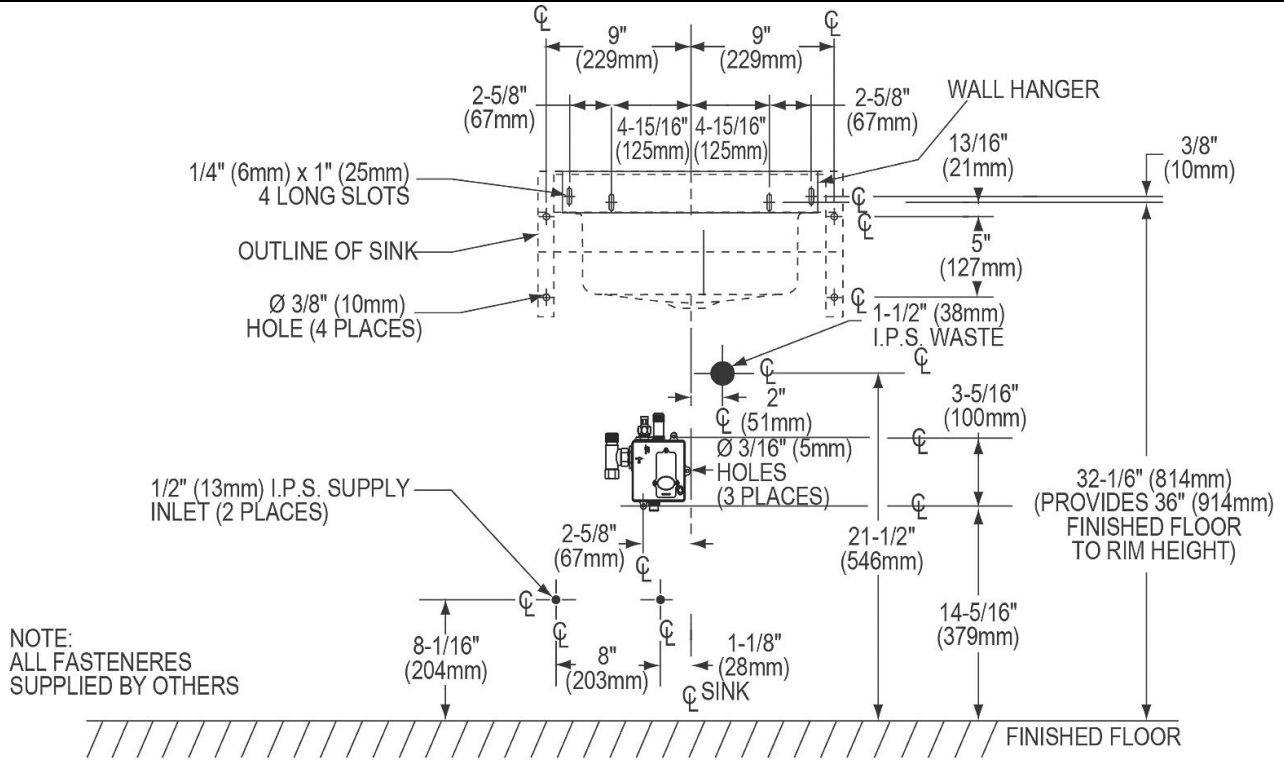
[Clean and Care Manual \(PDF\)](#)  
[Limited Warranty \(PDF\)](#)

PART: \_\_\_\_\_ QTY: \_\_\_\_\_  
PROJECT: \_\_\_\_\_  
CONTACT: \_\_\_\_\_  
DATE: \_\_\_\_\_  
NOTES: \_\_\_\_\_  
APPROVAL: \_\_\_\_\_

*In keeping with our policy of continuing product improvement, Elkay reserves the right to change product specifications without notice. Please visit [elkay.com](http://elkay.com) for the most current version of Elkay product specification sheets. This specification describes an Elkay product with design, quality, and functional benefits to the user. When making a comparison of other producers' offerings, be certain these features are not overlooked.*



*In keeping with our policy of continuing product improvement, Elkay reserves the right to change product specifications without notice. Please visit [elkay.com](http://elkay.com) for the most current version of Elkay product specification sheets. This specification describes an Elkay product with design, quality, and functional benefits to the user. When making a comparison of other producers' offerings, be certain these features are not overlooked.*



In keeping with our policy of continuing product improvement, Elkay reserves the right to change product specifications without notice. Please visit [elkay.com](http://elkay.com) for the most current version of Elkay product specification sheets. This specification describes an Elkay product with design, quality, and functional benefits to the user. When making a comparison of other producers' offerings, be certain these features are not overlooked.